

aiwa



NSX-A111
NSX-A115
NSX-S111

COMPACT DISC /
STEREO CASSETTE RECEIVER

• TYPE: U<A111/A115>
LH<S111>

SIMPLE MANUAL

• Replace this Service Manual with "Revision Publishing" when it is issued.

S/M Code No. 09-991-404-3T1

99
MANUAL
99
SERVICE
99

ELECTRICAL MAIN PARTS LIST - 4/5

309	87-A300-0911-080	FETT, 28J460	ABCC
3027	87-A300-0911-080	FETT, 28J460	ABCC
3015	87-A300-0911-080	FETT, 28J460	ABCC
3310	87-A300-0911-080	FETT, 28J460	ABCC
4443	87-0266-610-080	TR, KTA1266GR	ABCC
4453	87-0266-610-080	TR, KTA1266GR	ABCC
4542	87-0266-610-080	TR, KTA1266GR	ABCC
6011	87-018-1995-080	CAP, CHER 1200P-16V	ABCC
6177	87-010-260-080	CAP, ELECT 47-25V	ABCC
6116	87-010-545-080	CAP, ELECT 0.22-50V	ABCC
6112	87-010-545-080	CAP, ELECT 0.22-50V	ABCC
6111	87-010-545-080	CAP, ELECT 0.22-50V	ABCC
6113	87-010-545-080	CAP, ELECT 0.22-50V	ABCC
6122	87-018-194-080	CAP, TC-U 10P-50	ABCC
6012	87-099-657-080	CONN, 6P 6216V	ABCC
6011	87-NF9-466-080	CONN, 30P H BLK TYK-B(X)	ABCC
6011	87-A40-466-080	ZENER, MTZJ2.7A	ABCC
6011	87-008-3715-080	ZENER, MTZJ2.7A	ABCC
6011	87-A200-881-080	FILTER, EMI BL OIRNI	ABCC
7011	87-A60-881-080	FILTER, 439SP	ABCC
7019	87-010-2148-080	JACK, PIN 2P MSP 242V05 PBSN	ABCC
7017	87-010-2148-080	CAP, ELECT 100-16V	ABCC
7016	87-010-2148-080	CAP, ELECT 220-10V	ABCC
7015	87-010-404-080	CAP, ELECT 4.7-50V	ABCC
7014	87-018-131-080	CAP, ELECT 4.7-50V	ABCC
7115	87-010-112-080	CAP, CHER 1000P-50V	ABCC
7113	87-018-149-080	CAP, CHER 1000P-50V	ABCC
7122	87-018-149-080	CAP, TC-U 15P-50 CH	ABCC
7011	87-017-931-080	ZENER, MTZJ5.6B	ABCC
7011	87-070-127-080	IC LI, 72131 (DECS)	ABCC
7011	87-005-847-080	IC LI, 2.2UH (CHCS)	ABCC
7011	87-A30-261-080	TR, SSC4115BC	ABCC
7468	87-A11-155-080	VIB, XTAL 4.500MHZ CSA-309	ABCC
7468	87-A11-155-080	CAP, TC-U 0.01-16 Z F	ABCC
7553	87-010-4108-080	CAP, ELECT 47-50V	ABCC
7553	87-010-4108-080	CAP, ELECT 100-16V	ABCC
7551	87-A11-112-080	CAP, ELECT 4.7-50V	ABCC
7551	87-A11-144-080	CAP, TC-U 0.01-16 Z F	ABCC
7557	87-A11-155-080	CAP, TC-U 0.01-16 Z F	ABCC
7562	87-A11-155-080	CAP, TC-U 0.01-16 Z F	ABCC
7653	87-010-401-080	CAP, ELECT 1-50V	ABCC
7649	87-010-403-080	CAP, ELECT 1-50V	ABCC
7649	87-010-403-080	CAP, ELECT 3-3-50V	ABCC
7661	87-010-407-080	CAP, ELECT 3-3-50V	ABCC
7665	87-018-115-080	CAP, ELECT 4.7-50V	ABCC
7713	87-010-406-080	CAP, TC 0.047-50 Z F	ABCC
7713	87-010-406-080	CAP, ELECT 10-50V	ABCC
7730	87-018-131-080	CAP, ELECT 22-50V	ABCC
7770	87-A11-155-080	CAP, CHER 1000P-50V	ABCC
7776	87-A11-155-080	CAP, TC-U 0.01-16 Z F	ABCC
7789	87-010-403-080	CAP, ELECT 3.0-3-50V	ABCC
7856	87-010-405-080	CAP, ELECT 1.0-50V	ABCC
7856	87-010-405-080	CAP, ELECT 1.0-50V	ABCC
7887	87-018-196-080	CAP, CHER 1500P-16V	ABCC
7887	87-018-196-080	CAP, CHER 1500P-16V	ABCC
7887	87-018-196-080	CAP, CHER 3300P	ABCC
7887	87-018-199-080	CAP, CHER 3300P	ABCC
7887	87-018-199-080	CAP, CHER 3300P	ABCC
7887	87-018-199-080	CAP, TC-U 2200P-16V Z F	ABCC
7910	87-020-465-080	CAP, ELECT 3.3-50V	ABCC
7951	87-A40-291-080	DIODE, 1N4148 (CPT)	ABCC
7751	87-A20-913-080	IC LA1837NL -2N(TOK)	ABCC
7751	87-A20-913-080	IC LA1837NL -2N(TOK)	ABCC
7772	87-A90-252-080	FILTR, CFMT-450A(TOK)	ABCC
7751	87-A90-252-080	FILTR, CFMT-450A(TOK)	ABCC
8007	87-A11-144-080	VIB, CF BFU 4.500 (TOK)	ABCC
8007	87-A11-144-080	CAP, TC-U 0.1-50 K B	ABCC
8101	87-A11-155-080	CAP, TC-U 0.01-16 Z F	ABCC
8101	87-A11-155-080	CAP, TC-U 0.01-16 Z F	ABCC
8101	87-A11-155-080	CAP, TC-U 0.01-16 Z F	ABCC
9332	87-010-260-080	CAP, ELECT 0.100-50V F	ABCC
9332	87-010-260-080	CAP, ELECT 0.100-50V F	ABCC
9332	87-010-260-080	CAP, ELECT 0.47-50V	ABCC

ELECTRICAL MAIN PARTS LIST - 5/5

C	939	87-014-073-080	CAP,PP 4700P-100 J
C	935	87-A11-155-080	CAP,TC U 0.01-16 N F
C	934	87-A11-155-080	CAP,TC U 0.01-16 N F
C	937	87-A11-155-080	CAP,TC U 0.01-16 N F
C	936	87-A11-155-080	CAP,TC U 0.01-16 N F
C	938	87-A11-155-080	CAP,TC U 0.01-16 N F
C	940	87-014-051-080	CAPACITOR (PP), 560 P
C	944	87-018-104-080	CAP,TC-U 10P-50 SL	ABC.....
C	941	87-018-109-080	CAP, CER 22P-50V
C	943	87-A11-144-080	CAP,TC U 0.1-50 K B	ABC.....
F	801	87-008-261-010	FILTER, SFE10.7MA5-A	ABC.....
D	941	87-020-465-080	DIODE,1SS133 (110MA)
F	981	87-A40-618-080	VARI-CAP,SVC 348(S/T)
F	801	A8-8ZA-190-030	8ZA-1 FEUNM	.C.....
F	801	A8-8ZA-193-070	8ZA-1 YFEUNC	AB.....
F	801	87-A60-202-010	TERMINAL,ANT 4P MSP-154V-02	ABC.....
H	931	81-754-629-010	CONNECTOR, 2P
L	801	87-005-847-080	COIL,2.2UH(CECS)	ABC.....
L	934	87-005-372-080	COIL,S 1MHM
L	933	87-A50-159-010	COIL,10MH K C2B
L	941	87-A50-022-010	COIL,ANT SW(COI)
L	942	87-A50-173-010	COIL,OSC SW-N(COI)
L	983	87-A50-430-010	COIL,ANT MW(3BSW)
L	982	87-A50-431-010	COIL,OSC MW(3BSW)
L	981	8Z-ZA1-664-010	COIL,AM PACK 4(TOK)	ABC.....
Q	802	87-026-214-080	TR,DTA114YS (0.3W)
Q	801	87-026-214-080	TR,DTA114YS (0.3W)	ABC.....
S	1	87-033-147-010	FUSE CLAMP	.E.....
S	2	87-033-147-010	FUSE CLAMP	.E.....
S	1	87-A90-165-010	SW,SL 1-2-3 SWS2301	.E.....
H	1	87-A60-317-010	TERMINAL, 1P MSC	.E.....
H	2	87-A60-317-010	TERMINAL, 1P MSC	.E.....

MECHANICAL PARTS LIST - 1/1

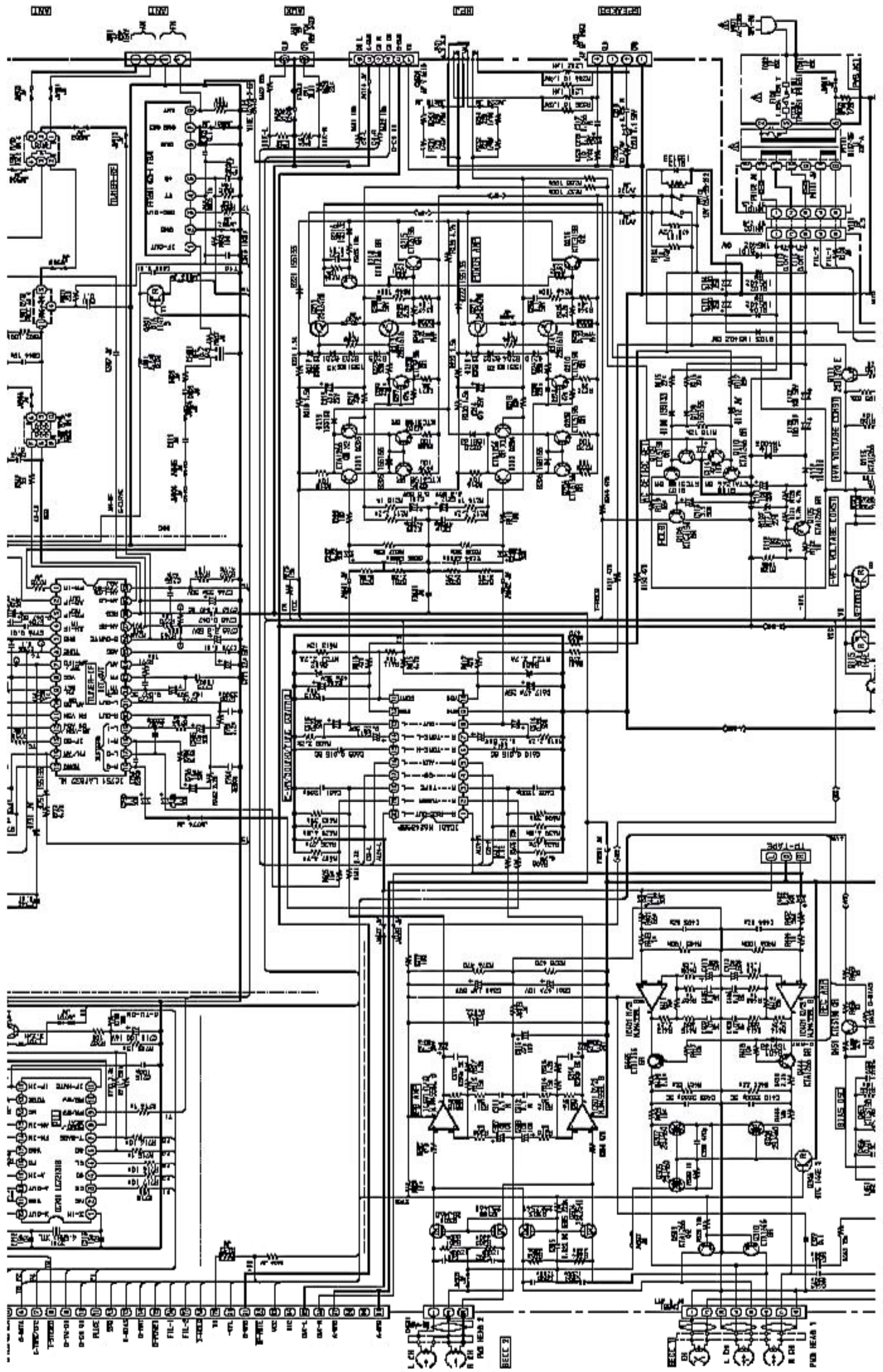
NOTE: The characters in the suffix column indicate the part usage.

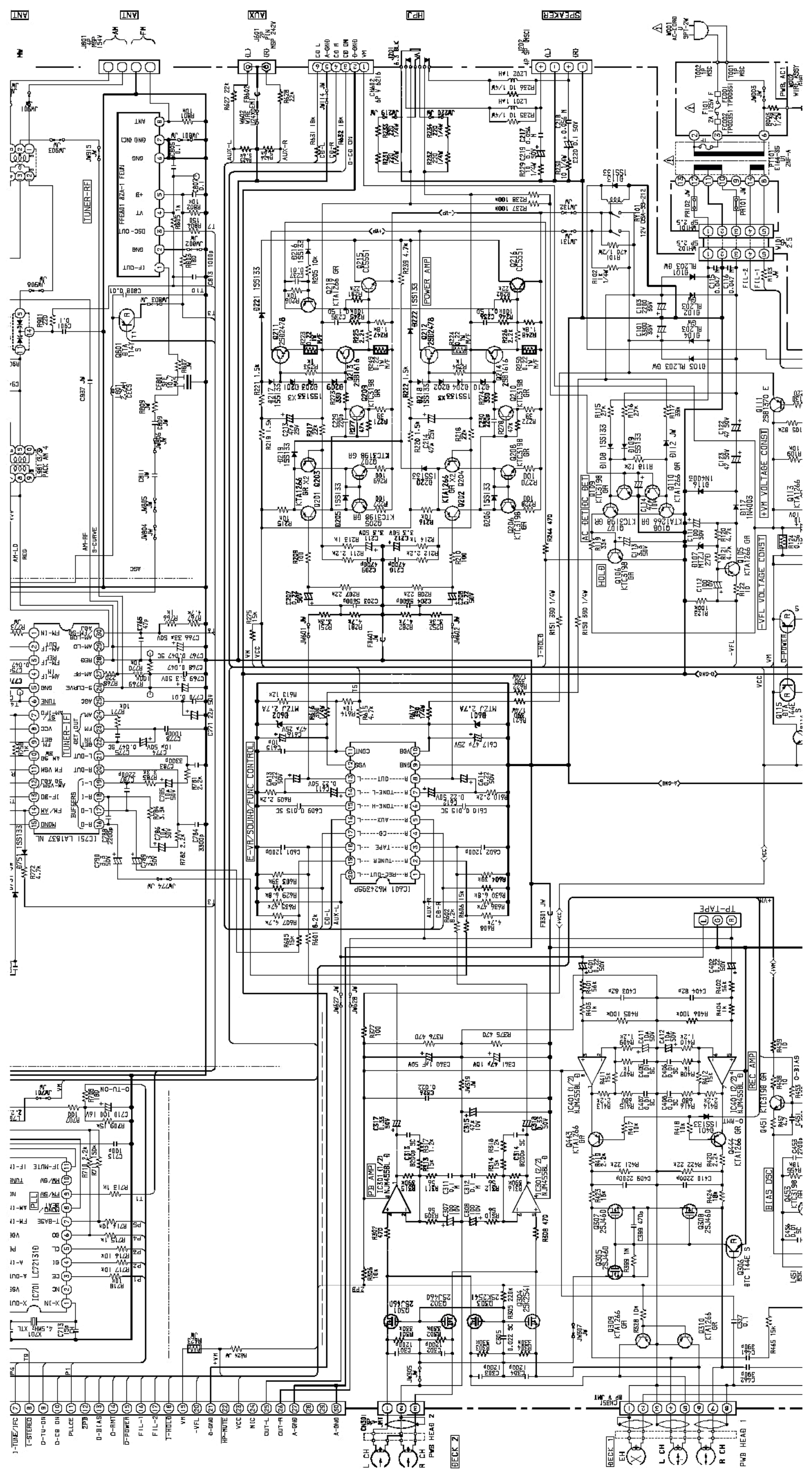
REF. NO	PARTS NO.	DESCRIPTION	SUFFIX
1U	<CX-NA111>	XX	A
LH	<CX-NS111>	XX	B
SU	<CX-NA115>	XX	C
		KANRI	
82-NFE6-001-010	82-NFE6-001-010	BADGE, AIWA 3ON	ABC
82-NFEA-002-010	82-NFEA-002-010	CABI, FR U	ABC
82-NFEA-003-010	82-NFEA-003-010	CABI, FR H	ABC
82-NFEA-004-010	82-NFEA-004-010	BOX, CASS 1	ABC
82-NFEA-005-010	82-NFEA-005-010	BOX, CASS 2	ABC
82-NFEA-006-010	82-NFEA-006-010	PANEL, TOP	ABC
82-NFEA-018-010	82-NFEA-018-010	PANEL, TRAY	ABC
82-NFEA-019-010	82-NFEA-019-010	PANEL, LEFT	ABC
82-NFEA-020-010	82-NFEA-020-010	PANEL, RIGHT V-2	A
82-NFEA-061-010	82-NFEA-061-010	PANEL, RIGTH M V-2	B
82-NFEA-063-010	82-NFEA-063-010	PANEL, RIGTH S V-2	B
82-NFEA-068-010	82-NFEA-068-010	CABI, REAR LHSTM	
82-NFEA-070-010	82-NFEA-070-010	CABI, REAR LHSTNC	A
82-NFEA-075-010	82-NFEA-075-010	CABI, REAR LHSTC	B
82-NFEA-077-010	82-NFEA-077-010	CABI, REAR USTMC1	C
82-NFEA-078-010	82-NFEA-078-010	CABI, REAR USTMC115	
82-NFEA-079-010	82-NFEA-079-010	CABI, REAR USTC1	
82-NFEA-080-010	82-NFEA-080-010	CABI, REAR USTC115	
82-NFEA-081-010	82-NFEA-081-010	CABI, REAR HJSTM	
82-NFEA-017-010	82-NFEA-017-010	CNOB, RTRY MIC	
82-NFEA-011-010	82-NFEA-011-010	KEY, OPE	ABC
82-NFEA-012-010	82-NFEA-012-010	KEY, CD	ABC
82-NFEA-013-010	82-NFEA-013-010	KEY, CASS 1P	ABC
82-NFEA-014-010	82-NFEA-014-010	KEY, CASS 2P	ABC
82-NFEA-017-010	82-NFEA-017-010	KEY, CASS VOL	ABC
82-NFEA-007-010	82-NFEA-007-010	CNOB, RTRY U	ABC
82-NFEA-008-010	82-NFEA-008-010	WINDOW, CASS 1	ABC
82-NFEA-009-010	82-NFEA-009-010	WINDOW, CASS 2	ABC
82-NFEA-023-010	82-NFEA-023-010	WINDOW, DISS H	A
82-NFEA-028-010	82-NFEA-028-010	WINDOW, DISP U115	ABC
82-NFEA-634-010	82-NFEA-634-010	CONN ASSY, 8P RPB	B
82-NFE9-635-010	82-NFE9-635-010	CONN ASSY, 10P MECHA	ABC
84-ZG1-245-210	84-ZG1-245-210	CAP, OPTICAL	ABC
82-NFE7-218-010	82-NFE7-218-010	DMFR, T/O	ABC
86-NFEZ-231-010	86-NFEZ-231-010	HDDR, CABLE	ABC
87-NFE4-221-010	87-NFE4-221-010	BUSHING, CORD-U	ABC
88-NFE9-213-010	88-NFE9-213-010	HDDR, PWB MAIN	B
82-NB8-240-010	82-NB8-240-010	COVER, PL	ABC
87-067-641-010	87-067-641-010	TAPPING SCREW, BVT2+3-6	ABC
87-067-688-010	87-067-688-010	UT2+3-8 (W/O SLOT)BL	ABC
87-067-703-010	87-067-703-010	UT2+3-8 (W/O SLOT)BL	ABC
87-067-758-010	87-067-758-010	TAPPING SCREW, BVT2+3-10	ABC
87-078-019-010	87-078-019-010	BVT2+3-12 W/O, SLOT	A
87-721-097-410	87-721-097-410	S-SCREW, ITT+4-6	B
87-721-097-410	87-721-097-410	S-SCREW, ITT+4-6	B
87-741-172-410	87-741-172-410	QT2+3-12 GLD	ABC
87-NF4-224-010	87-NF4-224-010	UT2+4-12 W/O SLOT	A
87-085-185-010	87-085-185-010	S-SCREW, IT3B+3-8 CU	A
88-913-221-110	88-913-221-110	BUSHING, AC CORD (E)	ABC
87-906-251-110	87-906-251-110	FF-CABLE, 6P 1.25	ABC
87-A91-208-010	87-A91-208-010	FUSE, 400MA 1.25 220MM	ABC
87-A91-224-010	87-A91-224-010	FUSE, 500MA 2.25V T	B
87-A91-224-010	87-A91-224-010	FUSE, 1.25A 1.25V T	A
87-A91-265-010	87-A91-265-010	FUSE, 2A 1.25V F 51NM	A
82-NFEA-622-010	82-NFEA-622-010	PT, LH EI57-35 ZNF-A	B
82-NFEA-622-010	82-NFEA-622-010	PT, HR EI57-35 ZNF-A	B
82-NFEA-622-010	82-NFEA-622-010	PT, U1 EI66-35 ZNF-A	B
87-050-079-010	87-050-079-010	AC-CORD ASSY, E	B
87-A80-110-010	87-A80-110-010	AC-CORD ASSY, AZ	A
87-A90-459-010	87-A90-459-010	HDDR, WIRE 2.5-5P	ABC
83-NE2-618-010	83-NE2-618-010	HDDR, WIRE 2.5-5P	ABC
87-A90-459-010	87-A90-459-010	HDDR, WIRE 2.5-5P	ABC
87-067-703-010	87-067-703-010	TAPPING SCREW, BVT2+3-10	ABC

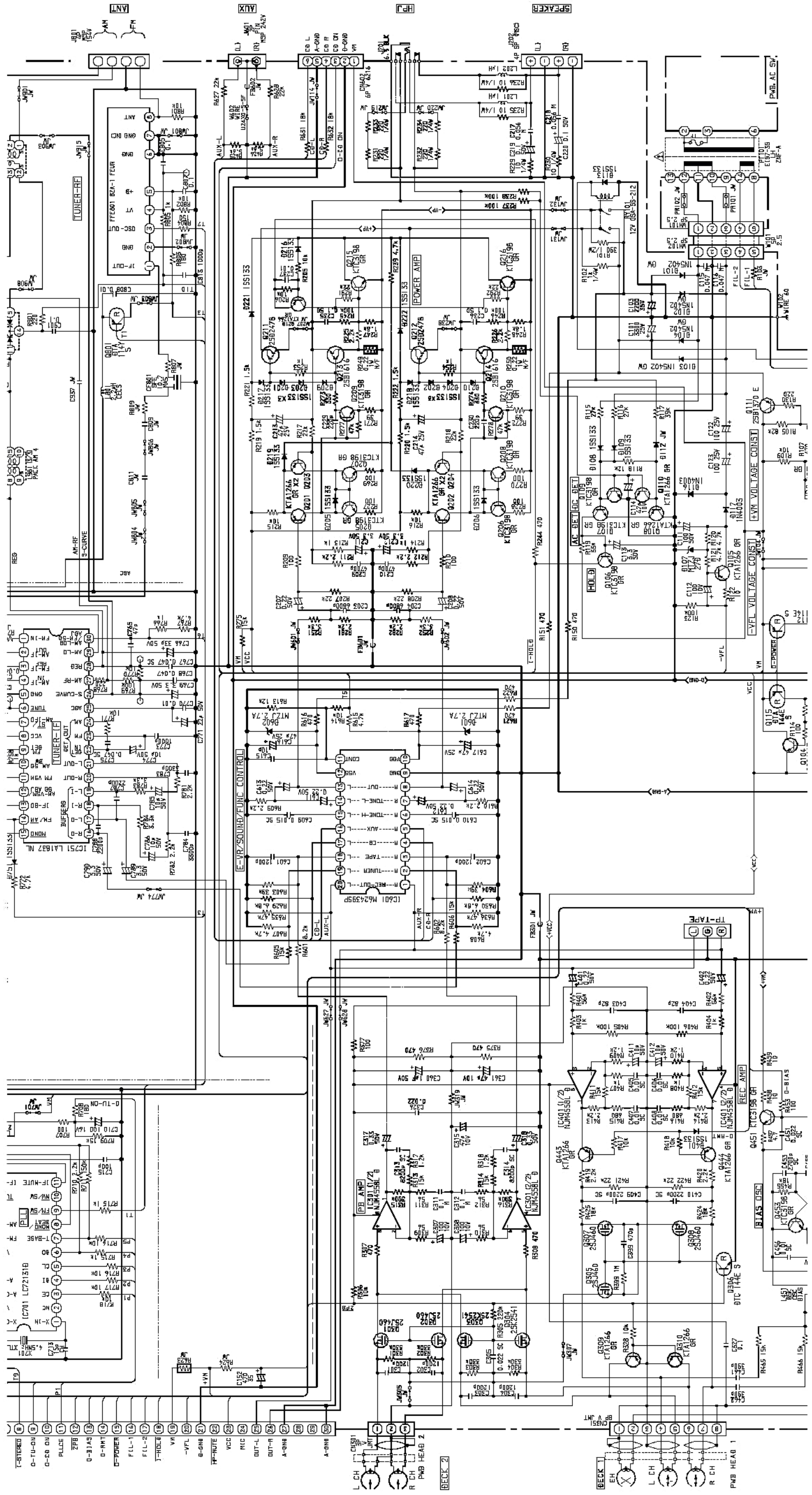
ACCESSORIES / PACKAGE LIST - 1/1

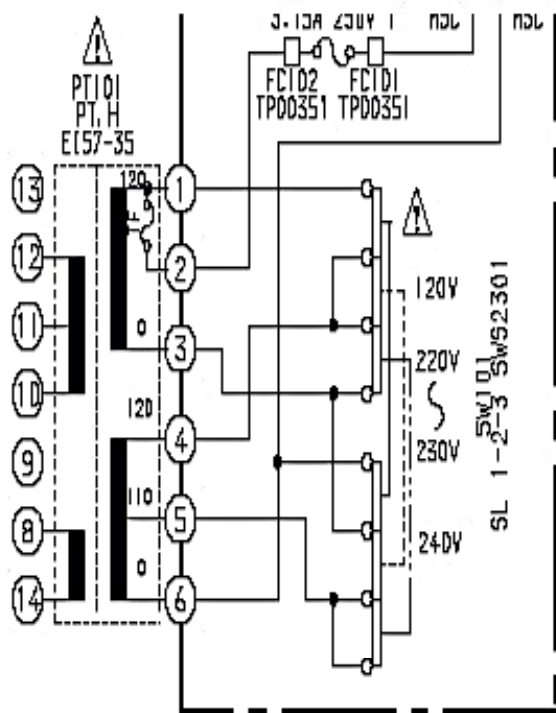
NOTE: The characters in the suffix column indicate the part usage.

REF.NO	PARTS NO.	KANRI NO.	DESCRIPTION	SUFFIX
1U	<CX-NA111>	XX		A
LH	<CX-NA111>	XX		B
5U	<CX-NA111>	XX		C
8Z-NFA-901-010			IB,H(ECA)M	
8Z-NFA-902-010			IB,LH(ESP)M	
8Z-NFA-903-010			IB,U(ESF)M	
8Z-NFA-904-010			IB,U(ESF)M -115	.C
8Z-NFA-912-010			IB,LH(ESP)S	
8Z-NFA-913-010			IB,U(ESF)S -115	
8Z-NFA-914-010			IB,U(ESF)S	A
8Z-NFA-922-010			IB,LH(ESP)A	.B
8Z-NFA-923-010			IB,U(ESF)A -115	
8Z-NFA-924-010			IB,U(ESF)A	
87-006-225-010			AM LOOP ANT NC2	ABC
87-006-269-010			AM LOOP ANT (UN)	
87-043-115-010			ANT, FEEDER FM	ABC
87-A91-017-010			PLUG, CONVERSION JT-0476	.B
8Z-NF9-701-110			RC UNIT, ZAS02	.C
8Z-NF9-702-010			RC UNIT, ZAS02	AB









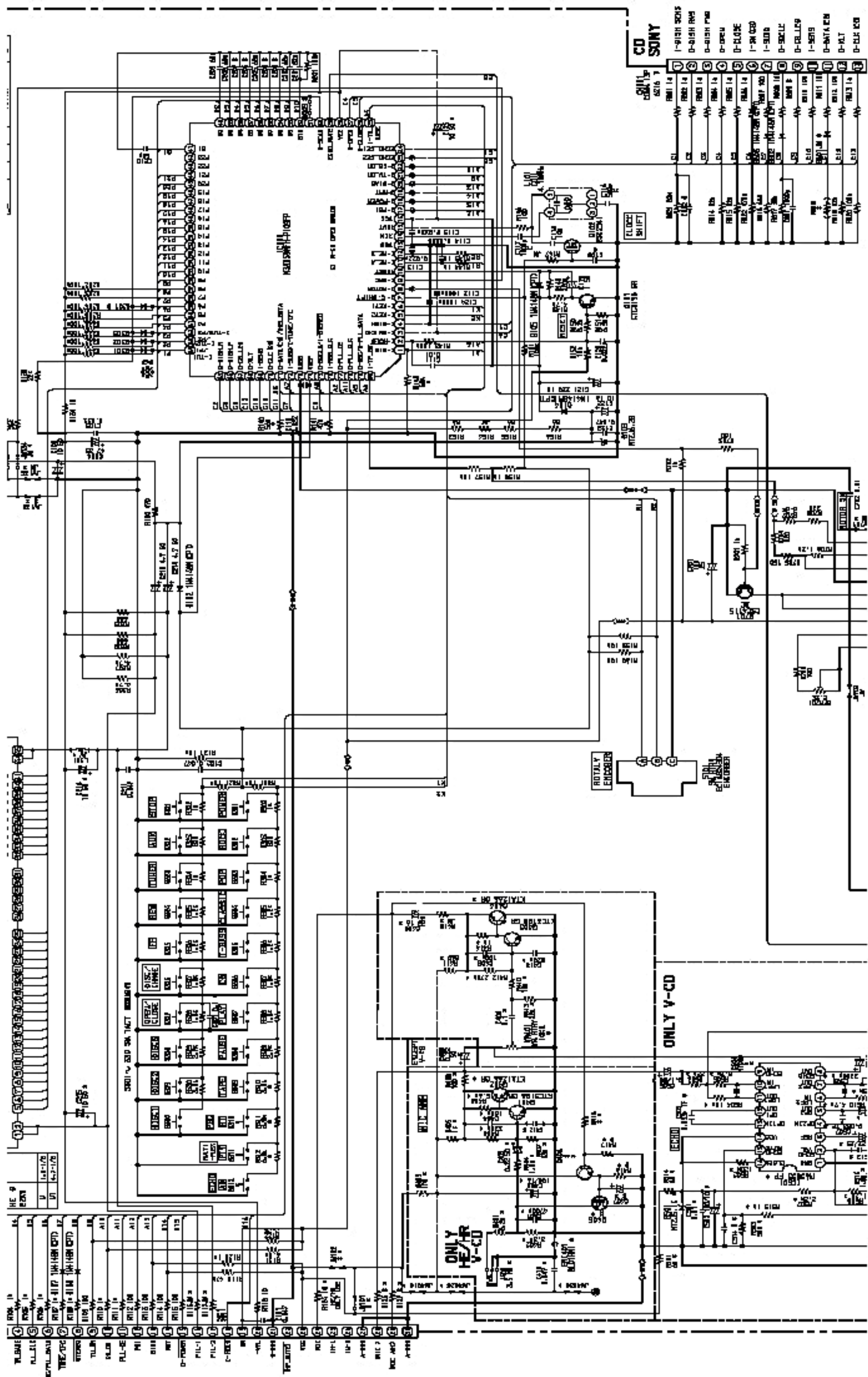
WH CA1 WH CA1
 (AC SW)
 SCHEMATIC DIAGRAM

8Z NFA

QC-88NFA-10-

7NF-10 14

7X-N9111 14 19701



リース技術コース	
番号	連絡内容
G-	-
G-	-
G-	-

アイワ株式会社
AIWA CO.,LTD.

9301896

Tokyo Japan

〒110-8710 東京都台東区池之端1-2-11 ☎03(3827)3111 (代表)

Printed in Singapore